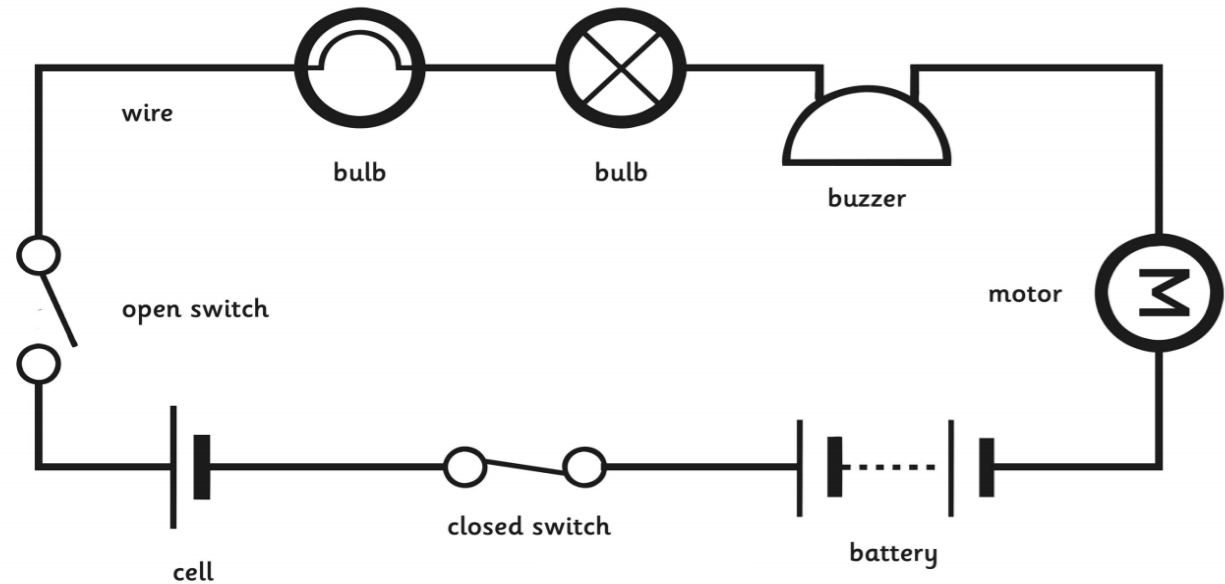


# Can electricity be fun as well as functional?

## KEY VOCABULARY

Electricity—the energy created when electrons flow.
Series circuit—a simple pathway that lets electricity flow to one or more components.
Variation—a change or difference.
Function—the role or purpose of something.
Circuit diagram—a visual display of a circuit using symbols.
Circuit Symbol—a picture used to represent an electrical component.
Components—a part of a larger whole (circuit).
Voltage—the electrical energy between two parts of a circuit.
Insulator—materials which electricity cannot flow through
Conductor—materials which electricity can flow through

## Circuit Symbols



## You might like to...

- Find out about lightning. How is it formed?
- Investigate the different ways which electricity is generated.
- Find out about Lewis Howard Latimer. What was his greatest achievement?
- Produce a fact sheet about electric eels. Are there any other creatures which are 'electric'?

## Further Reading

*The Boy Who Harnessed the Wind* by William Kamkwamba  
*Percy Jackson and the Lightning Thief* by Rick Riordan

## QUESTIONS TO DEEPEN YOUR LEARNING

Character	Critical Thinking	Creativity	Communication	Citizenship	Collaboration
Which part of this do I not understand?	Has electricity ruined the world we live in?	What ways can you find to generate static electricity?	How could I present what I understand?	How could YOU reduce the electricity you use?	What can I learn from others about this?